

MINIATURE PUSHBUTTONS



| Retail Part No. | Bulk Part No. | Figure No. | Circuit Function | Poles/Throws | AMPS 125VAC | 30 Watts | Bushing Length | Actuator Length | Actuator Color | Actuator Style | Terminal Type | Mounting Hole | Hardware | Spec. Drawing Page No. |
|-----------------|---------------|------------|------------------|--------------|-------------|----------|----------------|-----------------|----------------|----------------|---------------|---------------|----------|------------------------|
| 35-416 | 35-416-BU | 1 | On Off | SPDT | N/R | 250mA | 0.391" | 0.110" | Red | RB | Sd Eyelet | 0.469" | LN, LW | I-27 A |
| 35-418 | 35-418-BU | 2 | On (Off) | SPDT | N/R | 250mA | 0.391" | 0.110" | Black | RB | Sd Eyelet | 0.469" | LN, LW | I-27 A |
| 35-3460 | 35-3460-BU | 3 | On (Off) | SPST | 6†† | | 1.100" | 0.360" | Brass | CB | 6" WL | 0.375" | N, KN | I-27 B |
| 35-852 | 35-852-BU | 4 | On Off | SPST | 6†† | | 0.375" | 0.344" | Black | CB | 6" WL | 0.375" | N, KN | I-27 C |

| Retail Part No. | Bulk Part No. | Figure No. | Circuit Function | Poles/Throws | AMPS 125VAC | Amps 250 VAC | Bushing Length | Actuator Length | Actuator Color | Actuator Style | Terminal Type | Mounting Hole | Hardware | Spec. Drawing Page No. |
|-----------------|---------------|------------|------------------|--------------|-------------|--------------|----------------|-----------------|----------------|----------------|---------------|---------------|----------|------------------------|
| 35-491 | 35-491-BU | 5 | On On | DPDT | 0.50** | 0.20 | | 0.406" | Black | RmB | PCB/Sd Eye | | N, LN | I-27 D |

| Retail Part No. | Bulk Part No. | Figure No. | Circuit Function | Poles/Throws | AMPS 125VAC | 30 VAC | Bushing Length | Actuator Length | Actuator Color | Actuator Style | Terminal Type | Mounting Hole | Hardware | Spec. Drawing Page No. |
|-----------------|---------------|------------|------------------|--------------|-------------|--------|----------------|-----------------|----------------|----------------|---------------|---------------|----------|------------------------|
| 35-475 | 35-475-BU | 6 | (On) Off | NO SPST | 0.50 | 0.50 | 0.260" | 0.500" | Red | RB | ††† | 0.500" | N, LN | I-27 E |
| 35-476 | 35-476-BU | 7 | Off (On) | NO SPST | 0.50 | | 0.260" | 0.500" | Black | RB | ††† | 0.500" | N, LN | I-27 E |
| 35-3471 | 35-3471-BU | 8 | On (Off) | NO SPST | *** | | 0.374" | 0.244" | White | RB | Sc | 0.500" | N, LW | I-27 F |

Notes: (On)/(Off) = Momentary On/Off
 **Rated@100VAC
 ***Rated 2Amps @120VAC, 1A 277 VAC

†† = 3@250V AC
 ††† = 6.3mm Tab w/Eyelet
 35-491 is momentary on if the pin is removed
 CB = Canopy Button
 KN = Knurled Nut
 LN = Lock Nut

LW = Lock Washer
 N = Nut(s)
 NC = Normally Closed
 NO = Normally Open
 N/R = Not Rated

PCB = Printed Circuit Board
 RB = Round Button
 RmB = Removable Button

Sc = Screw
 Sd = Solder

STANDARD PUSHBUTTONS



| Retail Part No. | Bulk Part No. | Figure No. | Circuit Function | Poles/Throws | AMPS 125VAC | Amps 250 VAC | Bushing Length | Actuator Length | Actuator Color/Material | Frame/Bezel | Terminal Type | Mount Hole | Hardware | Spec. Drawing Page No. |
|-----------------|---------------|------------|------------------|--------------|-------------|--------------|----------------|-----------------|-------------------------|--------------|---------------|------------|-----------|------------------------|
| 35-420 | 35-420-BU | 9 | Off (On) | NO SPST | | 3 | 0.276" | 0.354" | Red Plastic | Chrm. Ring | Sd Eyelet | 0.500" | N, W | I-27 G |
| 35-421 | 35-421-BU | 10 | Off (On) | NO SPST | | 3 | 0.390" | 0.244" | Red Plastic | Black Square | Sd Eyelet | 0.500" | N, W | I-27 H |
| 35-422 | 35-422-BU | 9 | On Off | SPST | | 3 | 0.276" | 0.354" | White Plastic | Chrm. Ring | Sd Eyelet | 0.500" | N, W | I-27 G |
| 35-423 | 35-423-BU | 11 | Off (On) | NO SPST | 3 | N/R | Snap-in | 0.125" | Red Plastic | Black | Sd Eyelet | 0.687" | | I-27 I |
| 35-3456 | 35-3456-BU | 12 | (On) Off | SPST | 6 | 3 | 0.500" | 0.212" | White | | Q.C. | 0.500" | N, KN | I-27 J |
| 35-3457 | 35-3457-BU | 13 | Off (On) | NO SPST | 6** | 3** | 0.500" | 0.212" | Black Plastic | | Sc | 0.500" | N, KN, Sc | I-27 J |
| 35-3458 | 35-3458-BU | 13 | (Off) On | NC SPST | *** | *** | 0.490" | 0.200" | Red Plastic | | Sc | 0.500" | N, KN, Sc | I-27 K |
| 35-430 | 35-430-BU | 14 | Off (On) | NO SPST | 6 | 3 | 0.562" | 0.437" | Chrm. Metal | | Sd Eyelet | 0.500" | N, KN | I-27 L |
| 35-432 | 35-432-BU | 14 | On (Off) | NC SPST | 6 | 3 | 0.562" | 0.437" | Chrm. Metal | | Sd Eyelet | 0.500" | N, KN | I-27 L |
| 35-448 | 35-448-BU | 15 | On Off | SPST | 6 | 3 | 0.561" | 0.415" | Chrm. Metal | | Sd Eyelet | 0.500" | N, KN | I-27 L |
| 35-449 | 35-449-BU | 16 | On Off | SPST | 6 | 3 | 0.561" | 0.437" | Chrm. Metal | | Sc | 0.500" | N, KN | I-27 M |

Notes: (On)/(Off)/(SPDT) = Momentary Action
 *Rated 8Amps @125V DC, 4Amps @250V DC, 1/3 HP @125VAC;
 **Rated 6Amps @120VAC/3Amps @240VAC
 ***Rated 3Amps @120VAC/1.5Amps @277VAC
 ****Rated 25/15Amps @6/12VDC

† = Rated 1/2 HP @250VDC
 Chrm. = Chrome
 HP = Horse Power
 KN = Knurled Nut
 N = Nut(s)

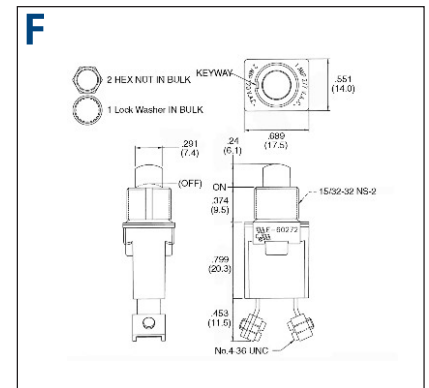
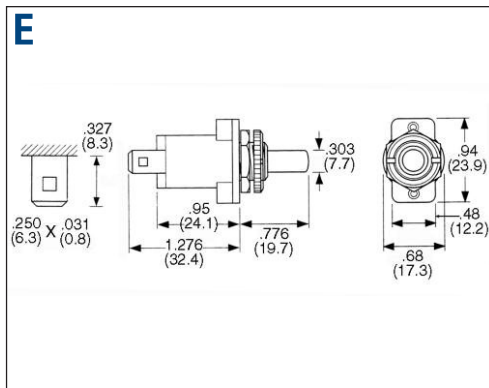
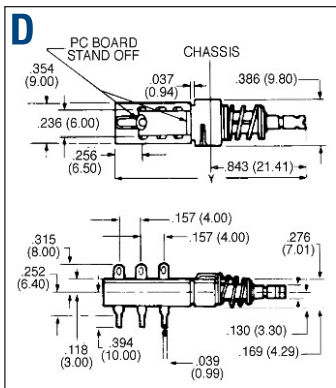
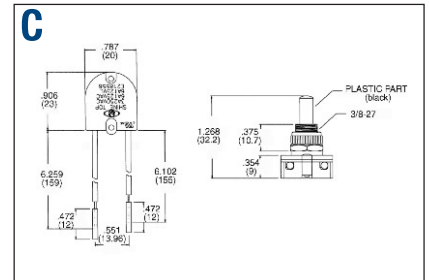
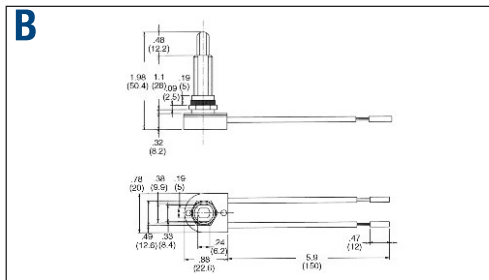
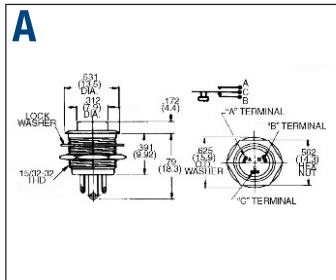
NC = Normally Closed
 NO = Normally Open
 N/R = Not Rated
 QC = Quick Connect
 Sc = Screw

Sd = Solder
 W = Washer
 WL = Wire Lead

Note: All figures are for illustration purpose only, and the number/type of terminals may vary.

All quantities are single; BU's are packages of 25 Unless otherwise noted.

MINIATURE PUSHBUTTONS (Cont.)



STANDARD PUSHBUTTONS (Cont.)

